

TL4 Double

english



TECHNO  LPIN®

OPTIMIZE YOUR PRODUCTION, CONTROL YOUR COSTS.

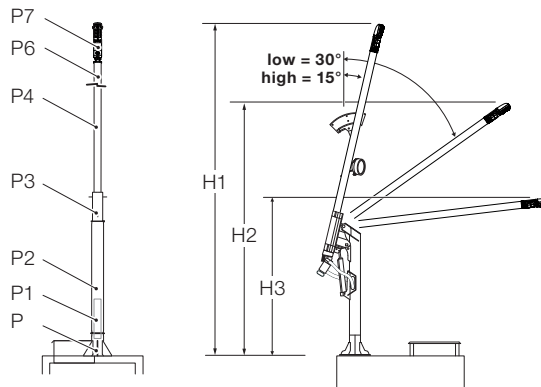
To further broaden the range of production possibilities, the TL lance series is expanded with the **TL4 Double**. This variation of the TL technology makes it possible to equip a single mast with 2 TL4 heads and a single Smart Distributor. Thus, snow production is greatly optimized, being multiplied by 2 thanks to the 2 TL heads, while maintaining great **control of equipment costs**. Indeed, there is no need to add other duplicate components: The TL4 Double with its Smart Distributor is installed on a standard mast and requires only one shelter valve to operate.



Like the other products of the TL range with Smart Distributor, the TL4 Double allows the water flow of the snow producer to be adjusted as finely as possible to the weather conditions, thus guaranteeing the **highest quality production** over the entire range of operating conditions. With **doubled production**, the TL4 Double is an ideal tool, especially in areas requiring a significant supply of snow. An analysis of the prevalent conditions on the slopes will allow to position this snow producer optimally.

The TL4 Double also offers all the innovative features of the TL range: nucleators with ruby inserts, ceramic nozzles, air flush to expel residual water from the nozzle rings. And the TL4 Double is mounted on standard equipment: mast with wedge wire filter, rotating column, YB valve for supplying the Smart Distributor.

FACTS AND FIGURES



	TL4 Double 7 m	TL4 Double 10 m
Weight		
Plug-in base P	22.2 kg	22.2 kg
Fixed column P1	12.5 kg	12.5 kg
Rotating column P2	26 kg	26 kg
Support lance pipe P3	18.6 kg	18.6 kg
Water filter P8	6.3 kg	6.3 kg
Lance pipe P4	27.6 kg	42.3 kg
Lance head		
Distributor D4 with adapter P6	4.8 kg	4.8 kg
Lance head TL4 right P7	5.5 kg	5.5 kg
Lance head TL4 left P7	5.5 kg	5.5 kg
Dimensions		
Highest working position (15°) H1	7,050 mm	9,940 mm
Lowest working position (30°) H2	6,537 mm	9,120 mm
Maintenance position H3	1,285 mm	1,022 mm
Electrical data		
Voltage drive motor (head)	24 V	24 V
Power drive motor (head)	35 W	35 W
Heating	15 W	15 W
Water		
Water pressure [min.]	25 bar	25 bar
Water pressure [max.]*	60 bar	60 bar
Nozzle configuration		
Nucleators	2x 3	2x 3
Fixed nozzles	2x 3	2x 3
Switchable nozzles	2x 6	2x 6
Adjustable steps	4	4

*A pressure class of PN80 is possible with type 2SN hoses if screw fittings with thread and union nut are used instead of the Camlock connections.



WWW.TECHNOALPIN.COM